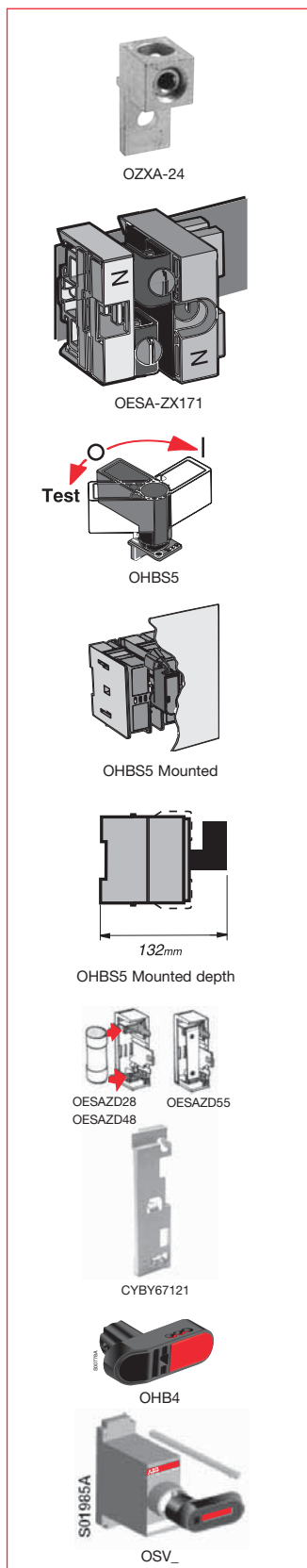


# Accessories

## 30A - 200A fusible disconnect switches



### Shafts alignment ring — for use on :

| Description    | For use on:                        | Catalog number | List price |
|----------------|------------------------------------|----------------|------------|
| Pistol Handles | OH_45, 65, 80, 125, 145, 175, J, L | OHZX10         |            |

### Terminal lug kit

| For use on: | Wire size      | Wire type | Terminal lugs per kit | Catalog number | List price |
|-------------|----------------|-----------|-----------------------|----------------|------------|
| OS100J      | #14 – 2/0      | Cu/Al     | 6                     | OZXA-24        |            |
| OS200J      | #4 – 300 kcmil | Cu/Al     | 6                     | OZXA-200       |            |

### Extension ring for pistol type handles

| Description | For use on: | Catalog number | List price |
|-------------|-------------|----------------|------------|
| Black       | OHB_        | OHZX14         |            |

### Terminal pole

| Description   | For use on: | AC thermal amp rating | AC rated voltage | Catalog number | List price |
|---|-------------|-----------------------|------------------|----------------|------------|
| Detachable neutral mounts on side of switch or DIN rail | OS30FA_     | 30                    | 600              | OESA-ZX171     |            |

### Direct mount handle — mounts directly to switch, no shaft necessary for OS30

| NEMA type | Color | Marking  | Length mm | Padlockable | Catalog number     | List price |
|-----------|-------|----------|-----------|-------------|--------------------|------------|
| 1         | Blk   | O/I/Test | 50        | Yes         | OHBS5 <sup>②</sup> |            |

### Fuse carriers – (replacement part)

| Description        | For use on : | Catalog number | List price |
|--------------------|--------------|----------------|------------|
| CC fuse carrier    | OS30FACC_    | OESAZD48       |            |
| J fuse carrier     | OS30FAJ_     | OESAZD28       |            |
| Solid link carrier | OS30_        | OESAZD55       |            |

### Terminal cover – (replacement part)

| Description                        | For use on : | Catalog number | List price |
|------------------------------------|--------------|----------------|------------|
| Covers terminal below fuse carrier | OS30FA_      | CXBY67121      |            |

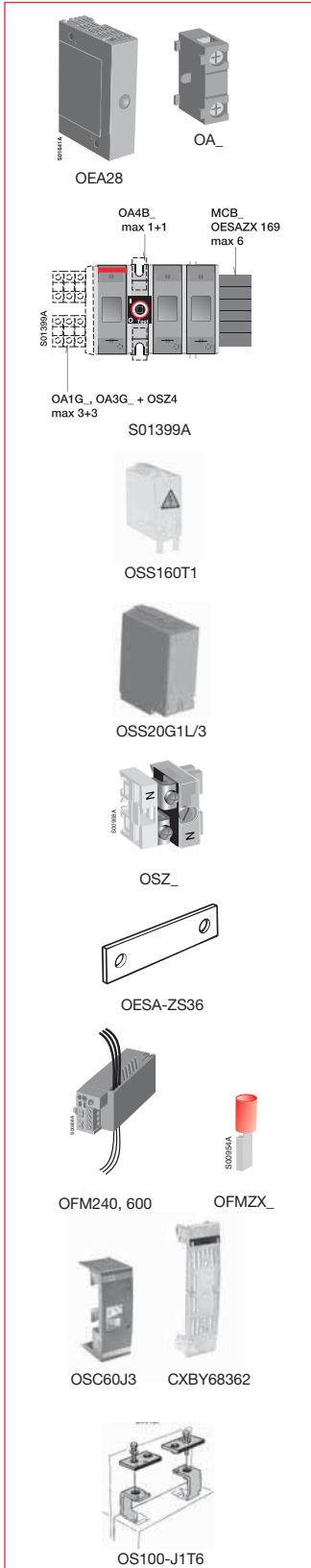
### Direct mounted handle

| For use on:         | Color | Marking | Length mm | Padlockable | Catalog number        | List price |
|---------------------|-------|---------|-----------|-------------|-----------------------|------------|
| OS60-OS100<br>OS200 | Black | O/I     | 50        | Yes         | OSV200BK <sup>②</sup> |            |

<sup>②</sup> Padlockable with three padlocks in the OFF-position. Includes shaft and mechanism cover.



## Accessories for 30A – 200A fusible disconnect switches



### Auxiliary contacts

| Description                      | For use on:   | AC thermal amp rating | AC rated voltage | Catalog number                 | List price |
|----------------------------------|---|-----------------------|------------------|--------------------------------|------------|
| Form C 1 N.O. & 1 N.C.           | OS30<br>for direct mounting to switch <sup>1)</sup> | 6                     | 250              | OA4B1C                         |            |
| 1 N.O.<br>1 N.C.                 | OS30-OS200  | 10<br>10              | 600<br>600       | OA1G10 <sup>1)</sup><br>OA3G01 |            |
| Module for aux. contact          | OS200   |                       |                  | OEA28                          |            |
| Mounting base (on the left side) | OA1G10 & OA3G01                                     |                       |                  | OSZ4                           |            |

1) For OS30: Max. 6 auxiliary contacts mountable onto the left side with the mounting frame OSZ4.

Maximum number of auxiliary contacts under the mechanism cover:

OS60..200: Maximum 4 contact blocks, 4 Aux./Test contacts 2Test indication contacts

OS400..800: Maximum 8 contact blocks, 4 Aux./Test contacts 4Test indication contacts

OS1200: Maximum 12 contact blocks, 8 Aux./Test contacts 4Test indication contacts

Mounting on the left side of the switch fuse:

OS60-OS1200: Maximum 8 auxiliary contact blocks (N.O. or N.C.) with the OEA28 module.

### Terminal shroud

| For use on: | Lug type | Quantity for full protection <sup>2)</sup> | Qty per pkg | Catalog number | List price |
|-------------|----------|--|-------------|----------------|------------|
| OS100       | OZXA-24  | 2  | 3 x 1P      | OSS160G1L/3    |            |
| OS200       | OZXA-200 | 2  | 3 x 1P      | OSS200G1L/3    |            |
|             |          | 2  | 4 x 1P      | OSS200G1L/4    |            |

<sup>2)</sup> For both load and line sides

### Terminal poles

| Description   | For use on: | AC thermal amp rating | AC rated voltage | Catalog number | List price |
|---|-------------|-----------------------|------------------|----------------|------------|
| Detachable neutral mounts on side of switch or DIN rail | OS30        | 30                    | 600              | OESA-ZX171     |            |
|   | OS60        | 60                    | 600              | OSZ1           |            |
|   | OS100       | 100                   | 600              | OSZ2           |            |
|   | OS200       | 200                   | 600              | OXN250         |            |

### Shorting bars

| Description | For use on: | AC thermal amp rating | AC rated voltage | Catalog number | List price |
|-------------|-------------|-----------------------|------------------|----------------|------------|
| Solid links | OS60J       | 60                    | 600              | OESA-ZD54      |            |
|             | OS100J      | 100                   | 600              | OESA-ZS36      |            |
|             | OS200J      | 200                   | 600              | OESA-ZK98      |            |

### Fuse monitor, suitable for 3 phase circuits

| Description   | For use on: | AC rated voltage | Catalog number | List price |
|---|-------------|------------------|----------------|------------|
| The Red LED indicates any BLOWN fuse and the 1 NO and 1 NC aux. contact gives an alarm or a trip signal. The Green LED indicates NORMAL status. | OS30-100    | 100...240        | OFM240         |            |
|   | OS30-OS200  | 380...600        | OFM600         |            |
|   | OS200       | 100...240        | OFS240         |            |
|   | OS200       | 380...600        | OFS600         |            |
| Terminal crimp for OS30...200, kit of 6 pieces  |             |                  | OFMZX2         |            |

### Fuse Carriers - (replacement part), kit of 3

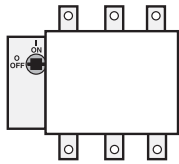
| Description          | For use on : | Catalog number | List price |
|----------------------|--------------|----------------|------------|
| Removal fuse carrier | OS60         | OSC60J3        |            |

### Replacement fuse covers

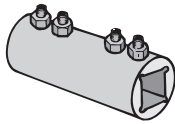
| Description            | For use on : | Catalog number | List price |
|------------------------|--------------|----------------|------------|
| Transparent fuse cover | OS100        | CXBY68362      |            |
| Fuse Cover             | OS200        | CXBY68674      |            |
| Phase Barrier          | OS200        | CXBY68794      |            |

### "T" type fuse adapter kit

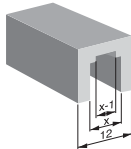
| Description        | For use on : | Catalog number | List price |
|--------------------|--------------|----------------|------------|
| 100A, 600V, 3 pole | OS100        | OS100-J1T6     |            |



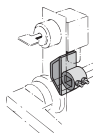
## Accessories for 30A – 200A fusible disconnect switches



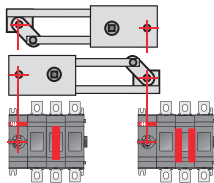
OESA-ZX167  
OETL-ZX95



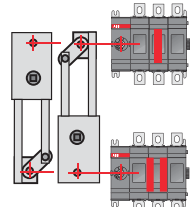
OETL-ZK19  
(X=6MM)



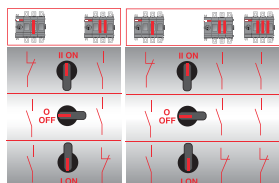
OETL-ZW16



Change-over switches



Change-over and  
by-pass switches



Change-over  
switches

By-pass switches

### Shaft extension coupler

| Description  | For use on: | Catalog number | List price |
|--|-------------|----------------|------------|
| Joins two shafts together for applications where extended length is required | 12mm shafts | OETL-ZX95      |            |

### Shaft adapter

| Description   | For use on: | Catalog number | List price |
|---|-------------|----------------|------------|
| Adapts one end of a 6mm shaft to 12mm. Use with shaft extension coupler | 6mm shafts  | OETL-ZK19      |            |

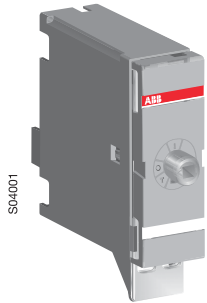
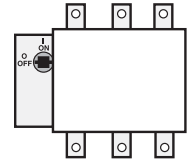
### Locking accessories

| Description  | For use on:        | Catalog number | List price |
|--|--------------------|----------------|------------|
| <b>Cam attachment</b> for Kirk Key, interlock. Cam attachment for adapting to the interlock system. The interlock is not included. | OS60, OS100, OS200 | OETL-ZW16      |            |

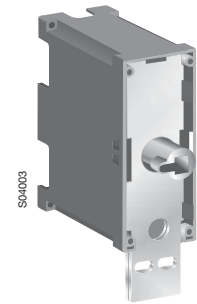
### Conversion mechanisms • Switches are not included

| Description                 | For use on:   | Catalog number | List price |
|-----------------------------|---------------|----------------|------------|
| 6 pole                      | OS30FA_       | OWP6DS1        |            |
| 8 pole                      |               | OWP6DS2        |            |
| Transfer 3 pole             |               | OWC6DSH1       |            |
| Transfer 4 pole             |               | OWC6DSH2       |            |
| Mechanical interlock 3 pole | OS60 - OS200  | OWM6DS1        |            |
| Mechanical interlock 4 pole |               | OWM6DS2        |            |
| 6 and 8 pole                | OS60          | OESA-ZW2       |            |
| Transfer                    | OS100 - OS200 | OESA-ZW1       |            |
| By-pass                     | OS100 - OS200 | OTZW25         |            |
|                             |               | OTZW26         |            |

| Conversion kit type          | To be ordered separately         |           | Included in conversion kit delivery |              |
|------------------------------|----------------------------------|-----------|-------------------------------------|--------------|
|                              | Shaft                            | Handle    | Shaft                               | Handle       |
| <b>6 and 8-pole switches</b> |                                  |           |                                     |              |
| OWP6DS1                      | X                                | -         | -                                   | -            |
| OWP6DS2                      | X                                | -         | -                                   | -            |
| OESA-ZW2                     | -                                | -         | X (2 pcs)                           | OHB145J12    |
| <b>Change-over switches</b>  |                                  |           |                                     |              |
| OWC6DSH1                     | X<br>(length min. 170mm)         | -         | -                                   | OHB65J6E011  |
| OWC6DSH1                     | X<br>(length min. 170mm)         | -         | -                                   | OHB65J6E011  |
| OESA-ZW1                     | -                                | -         | X (2 pcs)                           | OHB80J6E011  |
| OTZW25                       | -                                | -         | X (2 pcs)                           | OHB95J12E011 |
| <b>Mechanical interlock</b>  |                                  |           |                                     |              |
| OWM6DS1                      | X (2 pcs)<br>(length min. 170mm) | X (2 pcs) | -                                   | -            |
| OWM6DS2                      | X (2 pcs)<br>(length min. 170mm) | X (2 pcs) | -                                   | -            |



OTZT1\_



OTZT3\_

### Mechanism interlock kits & Electrical interlocks

OS200...1250 switch fuses can be interlocked in the OFF position using padlocks and by using a mechanical interlock kit mounted on the mechanism.

The diameter of the lock bail can be max dia. 8 mm.

| Suitable for switches                  | Catalog number | List price |
|--|----------------|------------|
| Interlocking in the OFF position       |                |            |
| OS200 ... 250_                         | OSZT1A         |            |
| OS315 ... 400_                         | OSZT2A         |            |
| OS600 ... 800_                         | OSZT3A         |            |
| OS1200 ... 1250U_                      | OSZT4A         |            |
| Interlocking in the OFF & ON positions |                |            |
| OS200 ... 250_                         | OSZT1L         |            |
| OS315 ... 400_                         | OSZT2L         |            |
| OS600 ... 800_                         | OSZT3L         |            |
| OS1200 ... 1250U_                      | OSZT4L         |            |

### Coils

By installing a coil inside the housing of the interlock kit the switch can be interlocked electrically in the OFF position or both in the OFF and ON positions.

The electrical interlock works using the “closed circuit principle”, meaning that when the control voltage is not connected to the coil, the switches provided with A-type interlocks cannot be turned to the ON position and switches with L-type interlocks cannot be turned to the ON or OFF positions.

| Suitable for switches | Catalog number  | List price |
|-----------------------|-----------------|------------|
| AC coils              |                 |            |
| 110 VAC, 50Hz         | PDAL2/110AC50Hz |            |
| 110 VAC, 60Hz         | PDAL2/110AC60Hz |            |
| 208 VAC, 60Hz         | PDAL2/208AC60Hz |            |
| 230 VAC, 50Hz         | PDAL2/230AC50Hz |            |
| DC coils              |                 |            |
| 24 VDC                | PDAL2/24DC      |            |
| 48 VDC                | PDAL2/48DC      |            |
| 60 VDC                | PDAL2/60DC      |            |
| 110 VDC               | PDAL2/110DC     |            |
| OS600 ... 800_        | OSZT3L          |            |
| OS1200 ... 1250U_     | OSZT4L          |            |